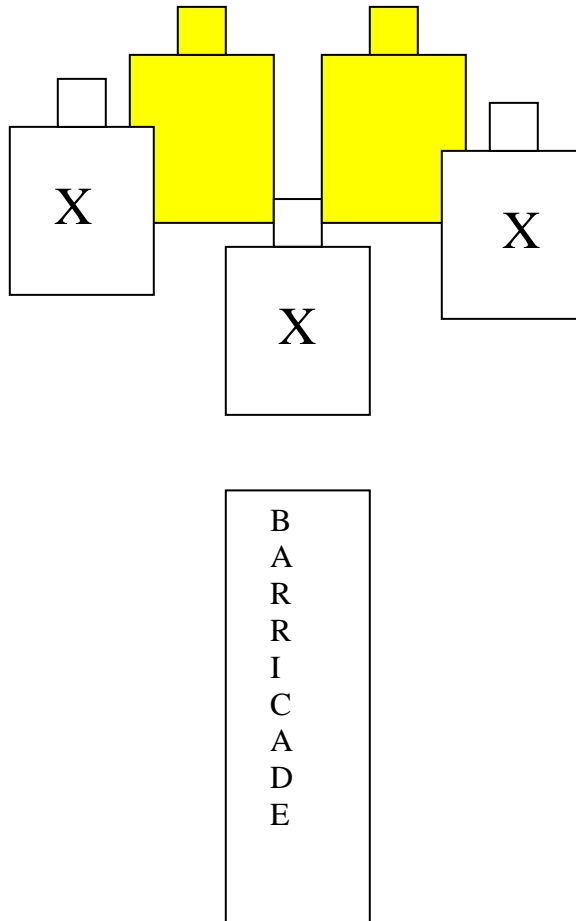


Left-Right Barricade



At the buzzer you will engage the right side target with three shots from the right side of the barricade, two to the body and one to the head. Still using your strong hand (do **NOT** switch hands) engage the left target with three shots from the left side of the barricade, two to the body and one to the head.

YOU MUST USE COVER AT ALL TIMES. THIS MEANS MORE THAN 50% OF THE SHOOTER'S UPPER TORSO MUST BE BEHIND COVER.

Scoring will be time and points down on the target. Hits on non-threats will be 25 points.